



POS Workstation
JS-925WS

Perfectly Sized For Your Business

Ecology

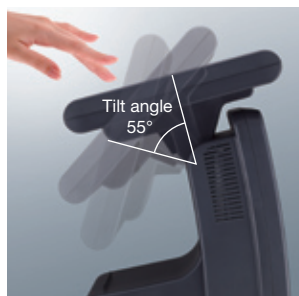
JS-925WS uses an Intel Atom CPU which reduces electric power consumption and improves performance while achieving a 10% power-savings against previous models. Environmental considerations also extend to the component level.

Small Footprint

The compact, all-in-one design of the JS-925WS eliminates clutter and requires less counter space.

User-Friendly Design

Adjustable display provides a wide range of viewing angles to accommodate the height of virtually any user as well as accommodate for environmental glare.



Functionality

JS-925WS provides various options to meet customer's needs. (15"/12" Display, Magnetic Stripe Reader, Fingerprint Reader, Dallas Key Reader, RAID HDD, Solid State Disk, UPS Battery, Asset Management (software))

Quality and Reliability

- Fanless:** Dust and debris are not circulated through the interior of the workstation, adding to overall reliability. And, with fewer moving parts the JS-925WS has a lower failure rate than fan-based units.
- Spill proof:** Purpose-built and tested for harsh environments.
- RAID HDD:** Optional second HDD with RAID 0,1 support provides data protection and backup.
- SSD:** Optional Solid State Disk prevents mechanical shock, creates power-savings and reduces the risk of HDD trouble.
- UPS Battery:** Optional internal uninterrupted power supply ensures smooth system shutdown and recovery in the event of sudden power loss.

Specifications

CPU	Intel ATOM 1.6 GHz fanless	
Memory	Standard: 1 GB Maximum 2 GB (1 x DDR2 SO-DIMM Slots)	
HDD	2.5 inch 160 GB SATA HDD (Max x 2)	
Display	15 inch TFT LCD XGA (1,024 x 768) 12.1 inch TFT LCD SVGA (800 x 600)	
Touch Panel	Resistive	
Local Area Network	Ethernet (10BASE-T/100BASE-TX)	
I/O port	Serial	4 ports 9 pin D-SUB COM1,2,3,4 (COM 1,3 are powered)
	Video	1 port 15 pin D-SUB
	LAN	1 port RJ-45
	USB 2.0	2 ports
	Cash Drawer	1 port RJ type
FAN	NO	
OS Support	Windows 7, Windows Vista, Windows XP, WEPOS, Linux kernel 2.6, Slackware Ver. 12.0, POS Ready 2009	
Optional		
Expanded I/O	Line out	1 port
	USB 2.0	2 ports
	Other	DIN type Drawer Speaker
Customer Display	2line x 20	
Magnetic Stripe Reader	Modular designed Magnetic Stripe Reader (3-Track)	
Fingerprint Reader	Modular designed Biometric Fingerprint Reader	
Dallas Key Reader	Modular designed Dallas Key Reader	
UPS Battery	Ni-CD/Ni-MH	
RAID HDD	2.5 inch 160 GB SATA HDD	
Solid State Disk	2.5 inch 8 GB	
USB HUB board	Use for 2USB ports of Display unit	
Asset Management	Provided by Absolute Software	
Environmental condition		
Operating Temperature	+5°C - +40°C	
Operating Humidity	15% RH - 85% RH (no dew)	
Storage Temperature	-30°C - +60°C	
Storage Humidity	10% RH - 90% RH	
Dimension		
W/LCD	15 inch LCD W364 mm x D291 mm x H413 mm	
	12 inch LCD W320 mm x D263 mm x H392 mm	
Main unit	Approx. W250 mm x D250 mm x H302 mm	

Optional ID Devices



Magnetic Stripe Reader

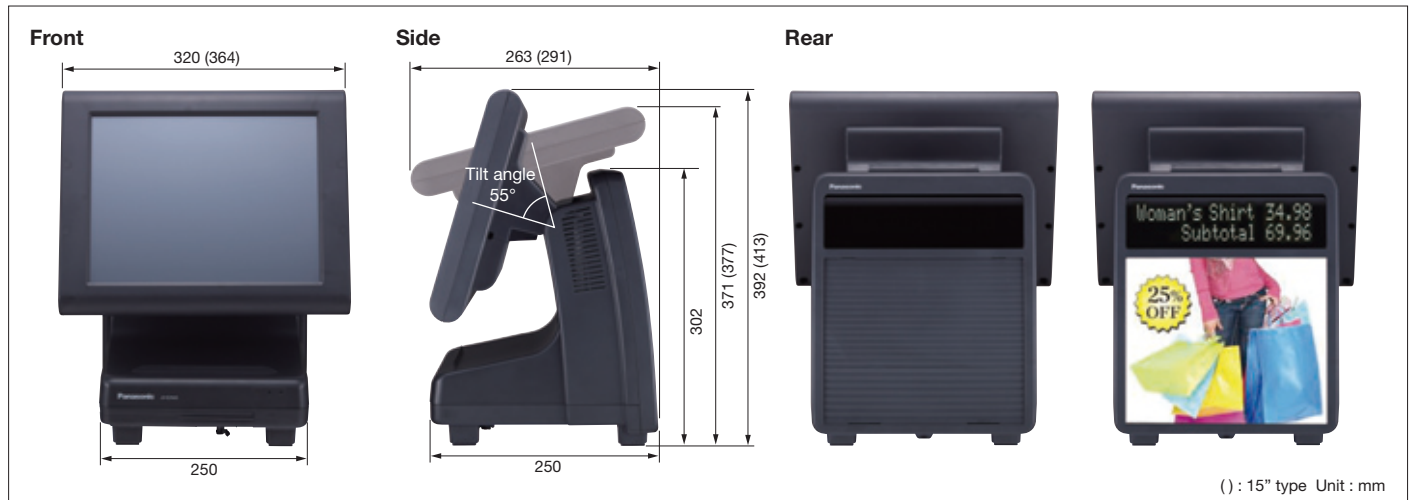


Dallas Key Reader

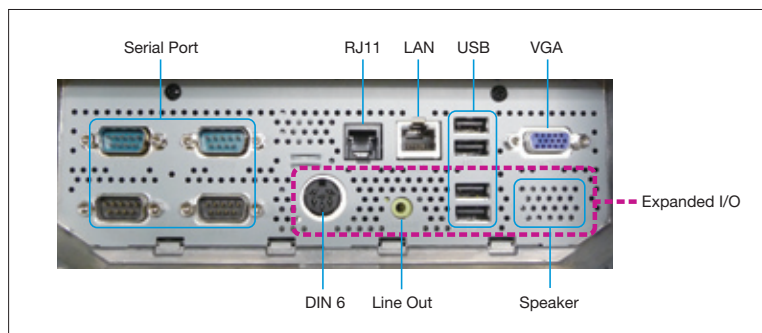


Fingerprint Reader

Dimensions



Connected Panel



- Due to printing irregularities, actual shades may vary slightly from the photo.
- Specifications are subject to change without notice.
- These products may be subject to export control regulations.

DISTRIBUTED BY:

Panasonic[®]

<http://panasonic.net/pss/pos/>

Printed in Japan (M1-AT054)